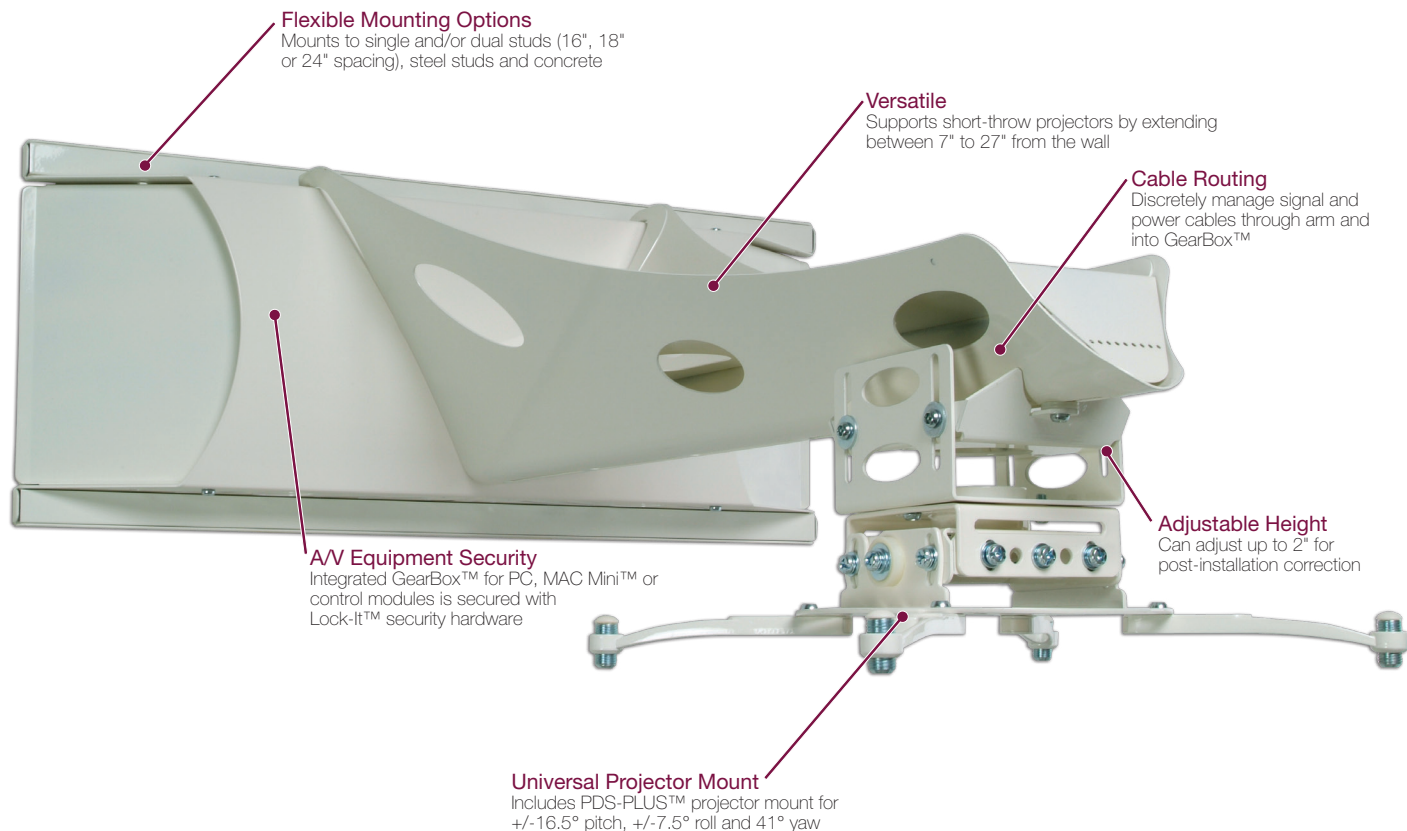


# UNI-STA

Wall Mount for Ultra-Short-Throw Projectors



**NEW**



**Flexible Mounting Options**

Mounts to single and/or dual studs (16", 18" or 24" spacing), steel studs and concrete

**Versatile**

Supports short-throw projectors by extending between 7" to 27" from the wall

**Cable Routing**

Discretely manage signal and power cables through arm and into GearBox™

**A/V Equipment Security**

Integrated GearBox™ for PC, MAC Mini™ or control modules is secured with Lock-It™ security hardware

**Adjustable Height**

Can adjust up to 2" for post-installation correction

**Universal Projector Mount**

Includes PDS-PLUS™ projector mount for +/-16.5° pitch, +/-7.5° roll and 41° yaw

### FEATURES

- Extends from 7"-27" from the wall
- Includes wall-mounted GearBox™ for PC, MAC Mini™ or control modules
- Mounts to single and/or dual wood studs (16", 18" and 24"), steel studs and concrete
- Includes universal projector mount (PDS-PLUS)
- Fast, one person installation
- For longer-throw projectors, check out model UNI-EXB (includes extension)

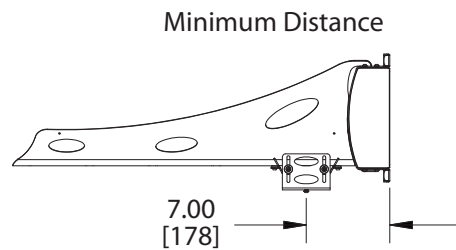
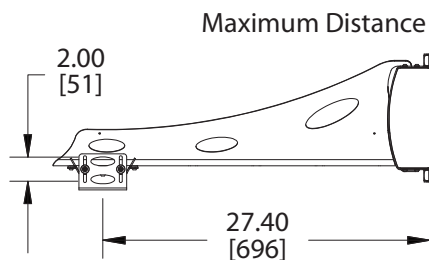
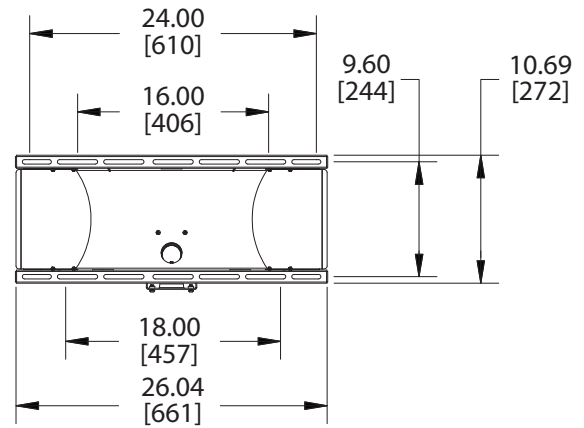
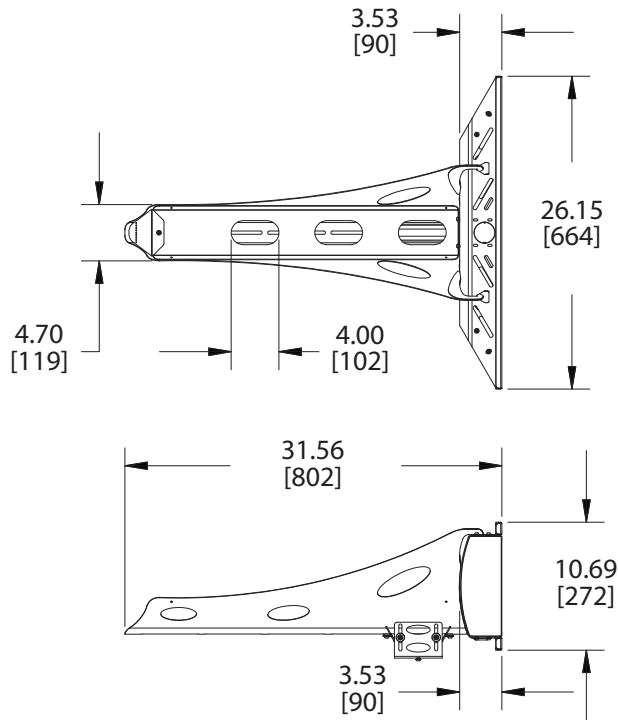
### SPECIFICATIONS

Models	UNI-STA (White) UNI-STB (Black)
Weight Capacity	50 lbs. (23 kg)
Height	10.69" (272mm)
Adjustable Depth	7"-27" (178-696mm)
Adjustable Height	2" (51mm)
Pitch	+/-16.5°
Roll	+/-7.5°
Yaw	41°
*MSRP	\$370.00

\*Pricing subject to change without notice



## DIMENSIONAL DRAWING



Dimensions in inches and millimeters [mm].  
Drawings subject to change without notice.

## ACCESSORY OPTIONS



UNI-AUDIO Audio Upgrade Kit

## FAQ

### What if I need to adjust the height of the projector after installation is complete?

The included adjustable mounting assembly allows for up to 2" of vertical adjustment after the fact. Plus, you can completely remove the assembly and mount direct for even more vertical correction.

### Can I add speakers to this mount?

Yes. We offer an audio upgrade package (Model: UNI-AUDIO). You can also order the short-throw mount with audio already included (Model: UNI-STA+AUDIO).

### What if I want to dress the cables out the end of the mounting arm, not the side ports?

The "nose piece" at the end of the arm is perforated. Simply bend back the bottom with pliers and you will have more than enough room for cables, yet maintain a clean looking installation.