

### GB-MS2

Storage Mount for Flat-Panels up to 63"



37" - 63"



175 lbs. (79 kg)



2.45" (62mm)

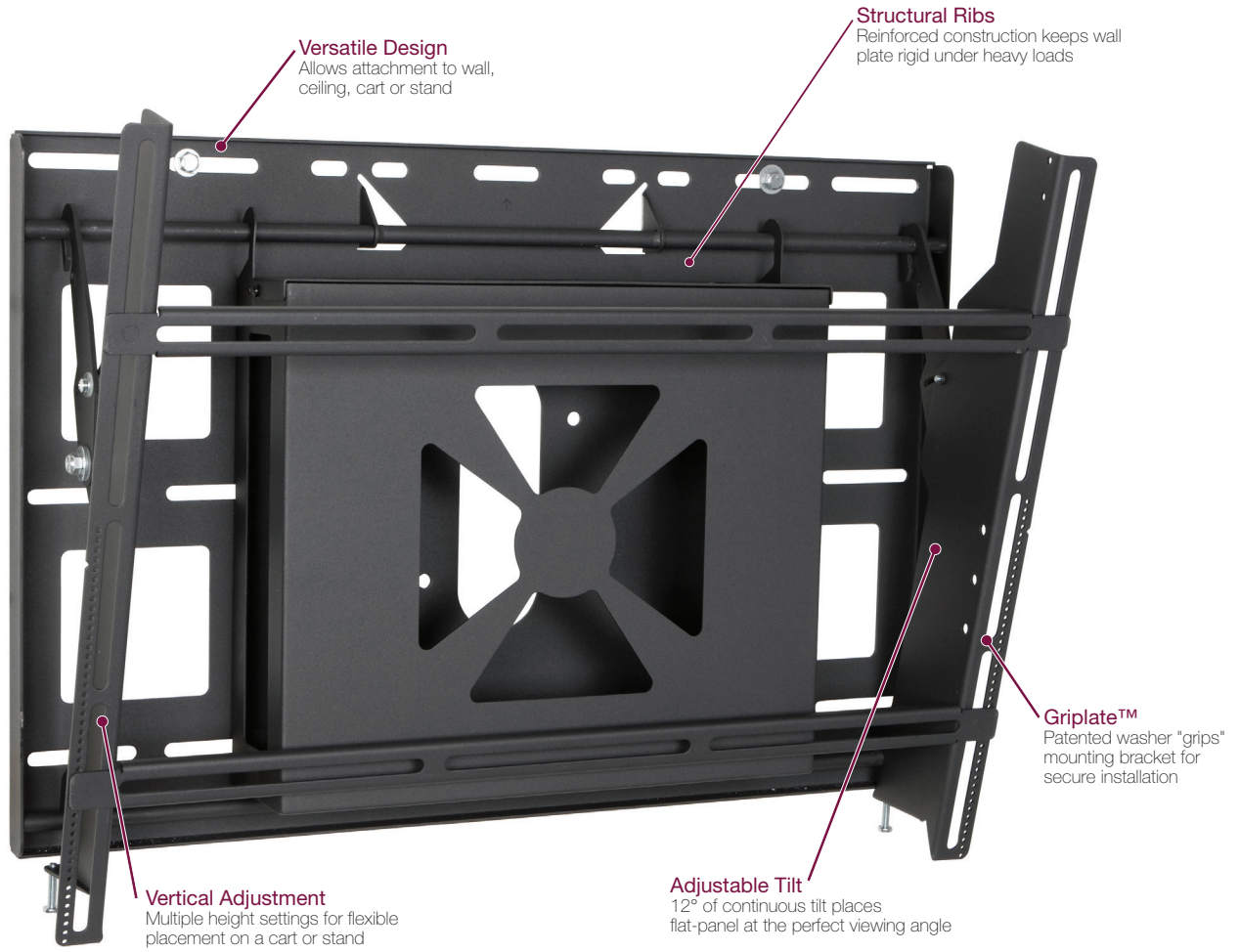


12°



800 x 500mm

**NEW**



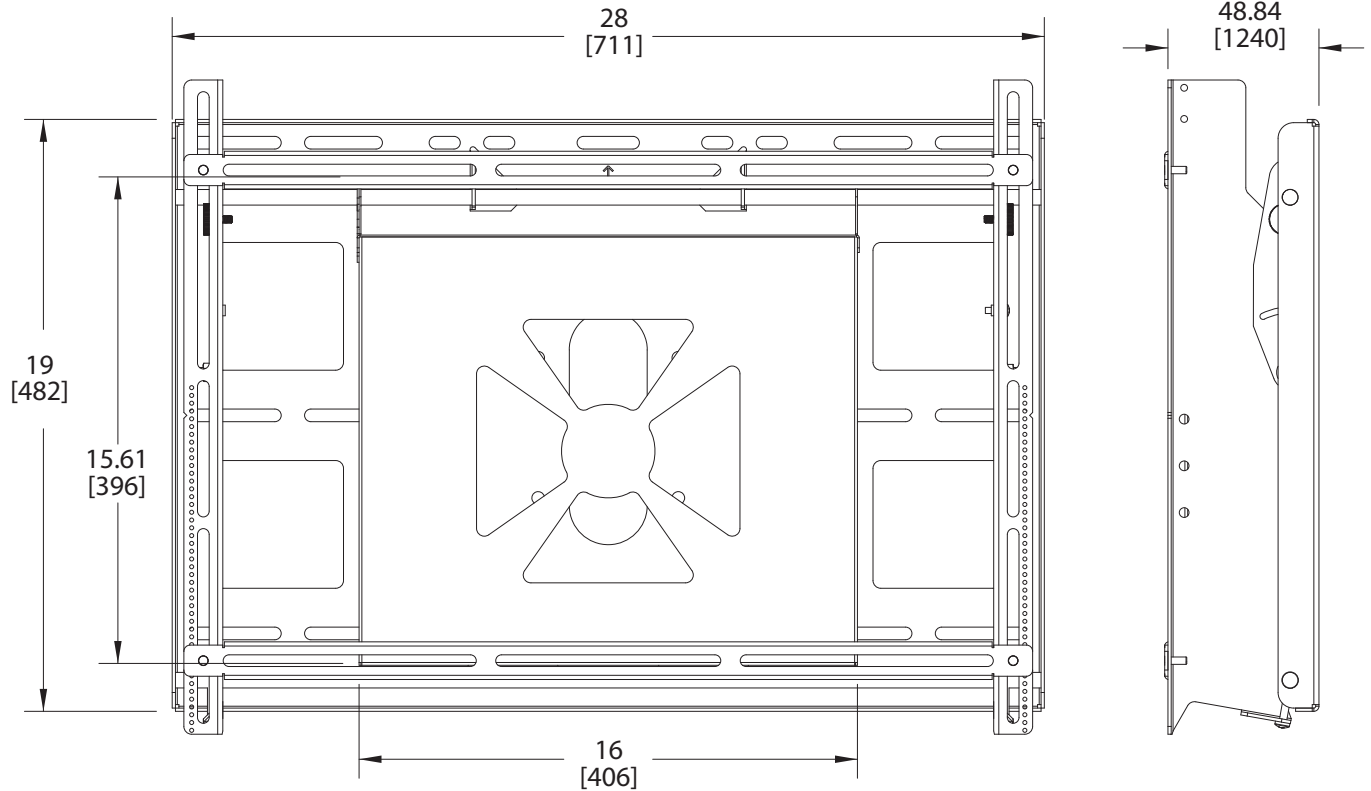
#### FEATURES

- Mounts to walls, floor stands, carts and ceiling adapters
- Three vertical height mounting options for carts and stands
- Patented Griplate™ system holds display securely in place
- Built-in lateral shift
- Extensive hardware pack including exclusive universal spacers
- Cable and power box access

#### SPECIFICATIONS

Model	GB-MS2
Display Range	37"-63"
Weight Capacity	175 lbs. (79 kg)
Depth	2.45" (62mm)
Tilt	12°
Mounting Patterns	200 x 200mm (Min) - 800 x 500mm (Max)





Dimensions in inches and millimeters [mm].  
Drawings subject to change without notice.

**ACCESSORY OPTIONS**

PCB-CSL1

Cable Lock



PANELOCK™

Theft-Resistant Security Hardware



PSD-ACR

Right-Angled Power Cord



**FAQ**

**What if my mounting points are right where the box is?**

The included cross strap allows for mounting anywhere along the length of the mount - even in the center.

**Can I purchase the PC box separately and hang on an existing mount?**

No. While the wall plate and brackets appear similar to an existing CTM-MS2, the wall plate design is slightly different and the mounting brackets are deeper to accommodate the PC box.

**What if I don't know my mounting pattern?**

Check the mount locator tool on [www.mounts.com](http://www.mounts.com) to see a list of compatible mounts or select a universal mount, which fits a broader range of mounting points.