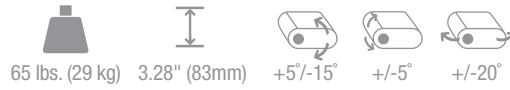
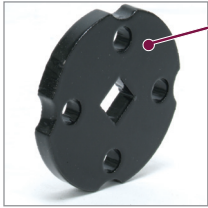


FTP

Fine-tune Mount for Projectors up to 65 lbs.



NEW



Installation Disk
Adapts to 1.5" NPT pipe by using a socket wrench or for use as a mounting device for ceiling stud installation

Adjustable Leveling Barrels
Quickly level mounting legs without any specialized tools

Lock-It™ Security Hardware
Specialized hardware to be used at critical mounting points to protect projector

Quick Release Base
Projector quickly disengages for maintenance, then quickly re-mounts with no need for realignment

Fine-Tune Controls
Precise, tool-free control of pitch: +5°/-15°; roll: +/-5°; and yaw: +/-20°

Mounting Legs
Both long and short mounting legs are included to reach more projector mounting points

FEATURES

- Precise, fine-tune pitch, roll and yaw adjustments
- Detachable base for quick service while maintaining all adjustment settings
- Adapts to pipe or ceiling structures
- Easy-to-install quick installation disk
- Post-installation leveling barrels
- Universal mounting legs (4 long, 4 short)
- Lock-It™ security hardware including Lock-It™ security leveling barrel for greater theft prevention

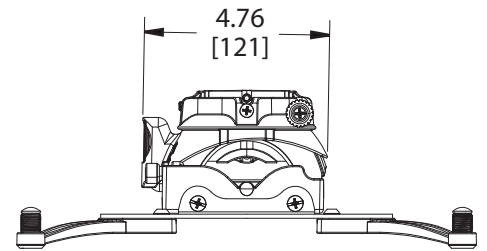
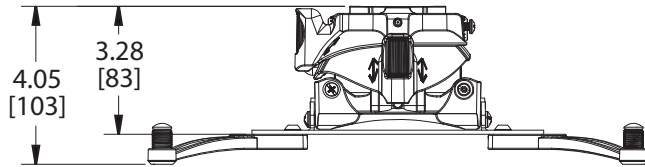
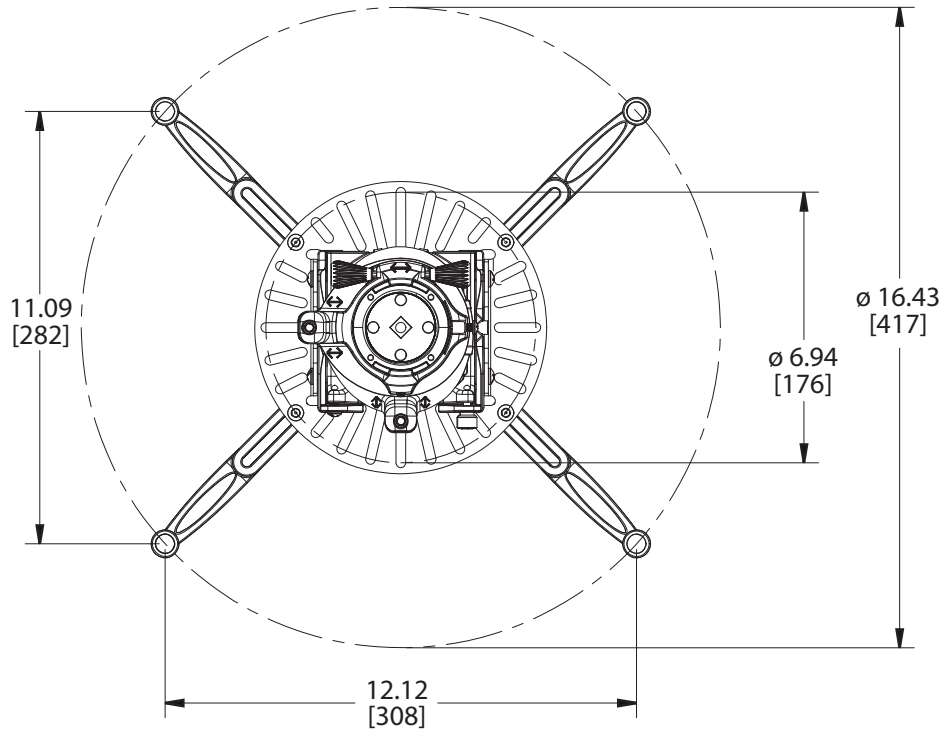
SPECIFICATIONS

Models	FTP (<i>Black</i>) FTPW (<i>White</i>)
Weight Capacity	65 lbs. (29 kg)
Height	3.28" (83mm)
Pitch	+5°/-15°
Roll	+/-5°
Yaw	+/-20°
*MSRP	\$240

*Pricing subject to change without notice



DIMENSIONAL DRAWING



Dimensions in inches and millimeters [mm].
 Drawings subject to change without notice.

ACCESSORY OPTIONS

AST-2446 Adjustable Height Ceiling Adapter



PP-FCTA Hidden T-Bar Frame Adapter



GB-PIPE1B GearBox™ Pipe Adapter



FAQ

Is there a dedicated, model-specific version of this mount?

Yes. We offer nearly 100 different model-specific mounting plates for the FTP.

Will I need to readjust the image every time I take down the projector for service?

No. Thanks to the quick-release design and rigid installation hardware, you can easily disengage the lower half of the mount, while keeping all tilt, roll and yaw settings in position.

How many screws do I need to tighten to lock this in position?

Unlike some competitive models, you only need to tighten a single locking screw.